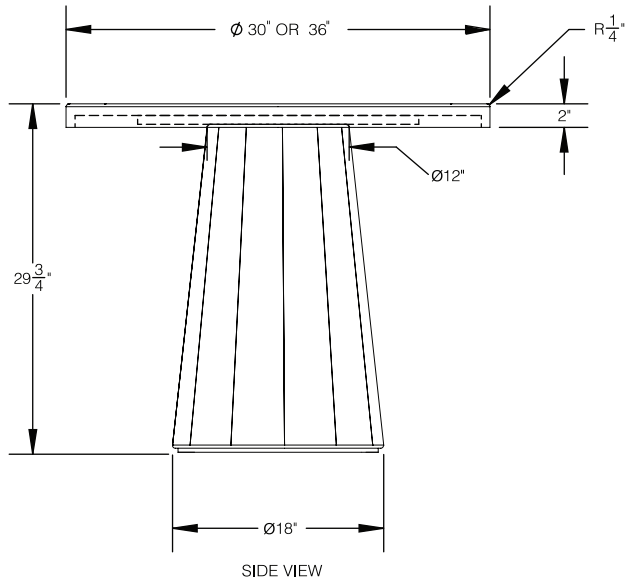
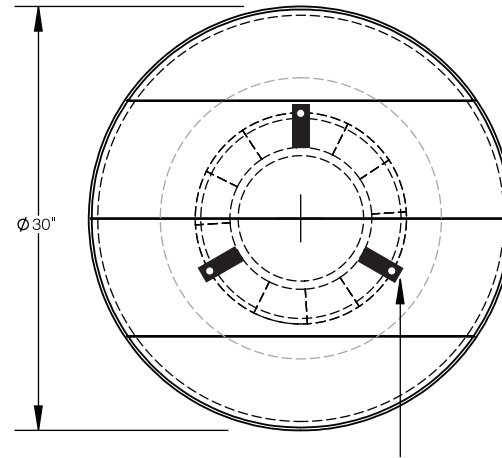


SECTION VIEW



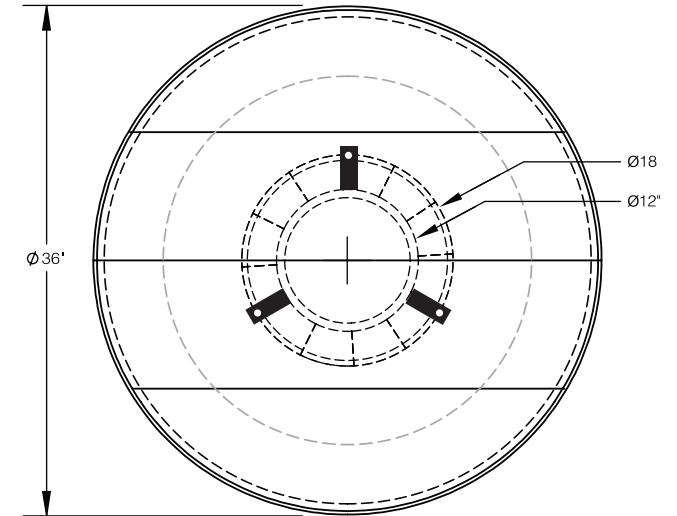
TOP VIEW

36" DIAMETER

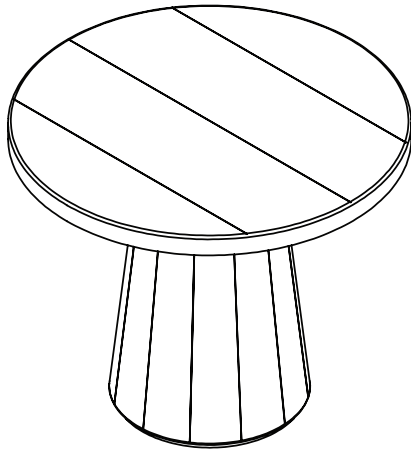


MOUNTING BRACKETS
QTY: 3 / TOP (EVENLY SPACED)

36" DIAMETER



ISOMETRIC VIEW



SPECIFICATIONS

- CONCRETE BASIC THICKNESS IS 1"
- CONCRETE THICKNESS AT EDGE (PROFILE) IS 2"
- ALL CORNERS & EDGES EASED; $R=1/4''$
- INDOOR OR OUTDOOR USE
- FINISHED TABLE HEIGHT: $29 \frac{3}{4}''$ TALL
- WEIGHT BASE: ~90 LBS
- WEIGHT TOP: $30''$: ~ 40 LBS / $36''$: ~ 50 LBS