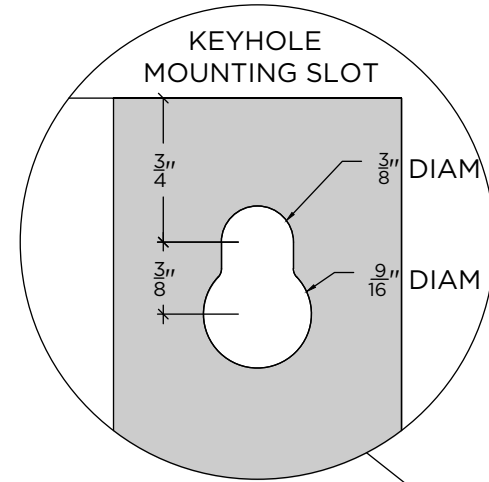
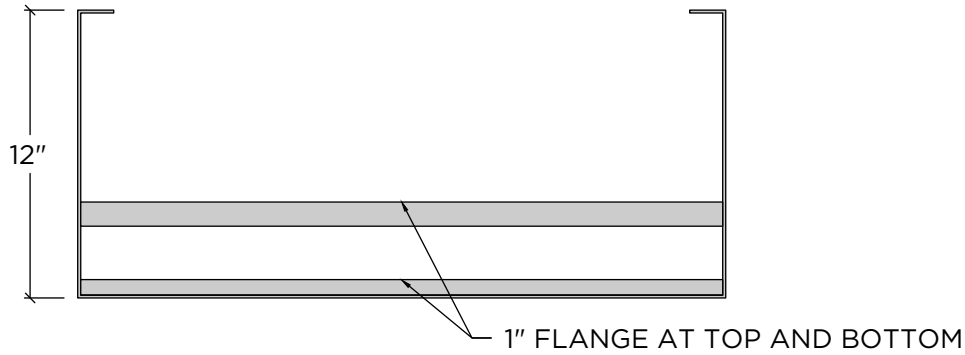
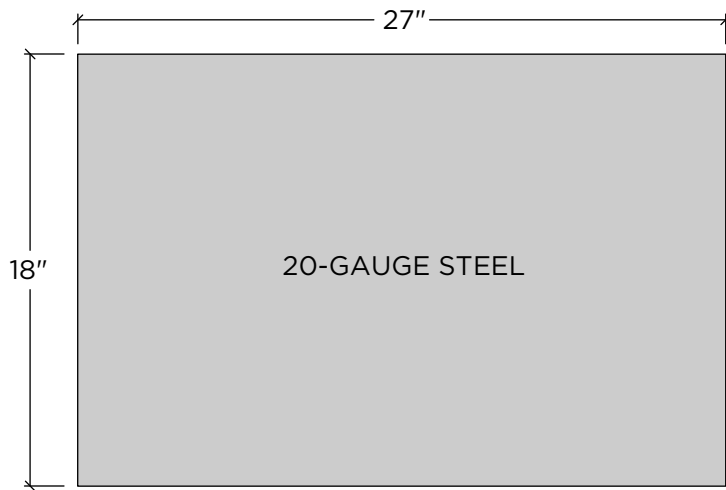


PLAN VIEW

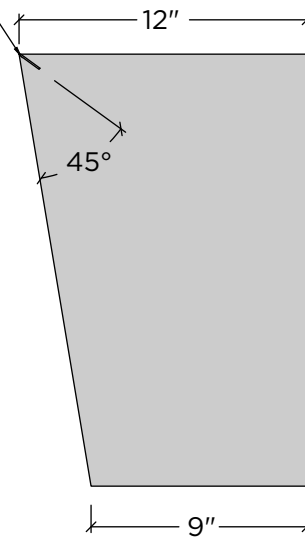


FRONT ELEVATION



TOP FLANGE IS 45° FROM FRONT FACE

SIDE ELEVATION



REAR ELEVATION

