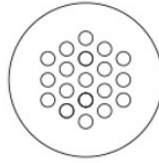
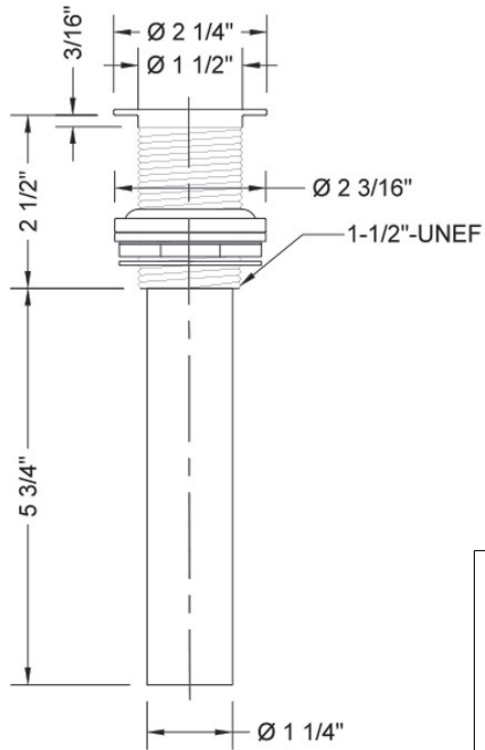




TOP VIEW



FRONT VIEW



SPECIFICATIONS

- GRID STRAINER WITH 19 HOLES FOR FAST DRAINING
- FITS 1 1/2" OPENING (STANDARD FLANGE)
- WATER CONNECTION: 1 1/4"
- DRAIN IS ALWAYS OPENED IN BASIN
- FOR APPLICATIONS WITHOUT OVERFLOW
- 4 FINISHES: POLISHED CHROME, BRUSHED NICKEL, OIL-RUBBED BRONZE, MATTE BLACK
- WEIGHT: 9.6 OZ.
- COMPLIES WITH ASME A112.18.2-2015/CSA B125.2-15