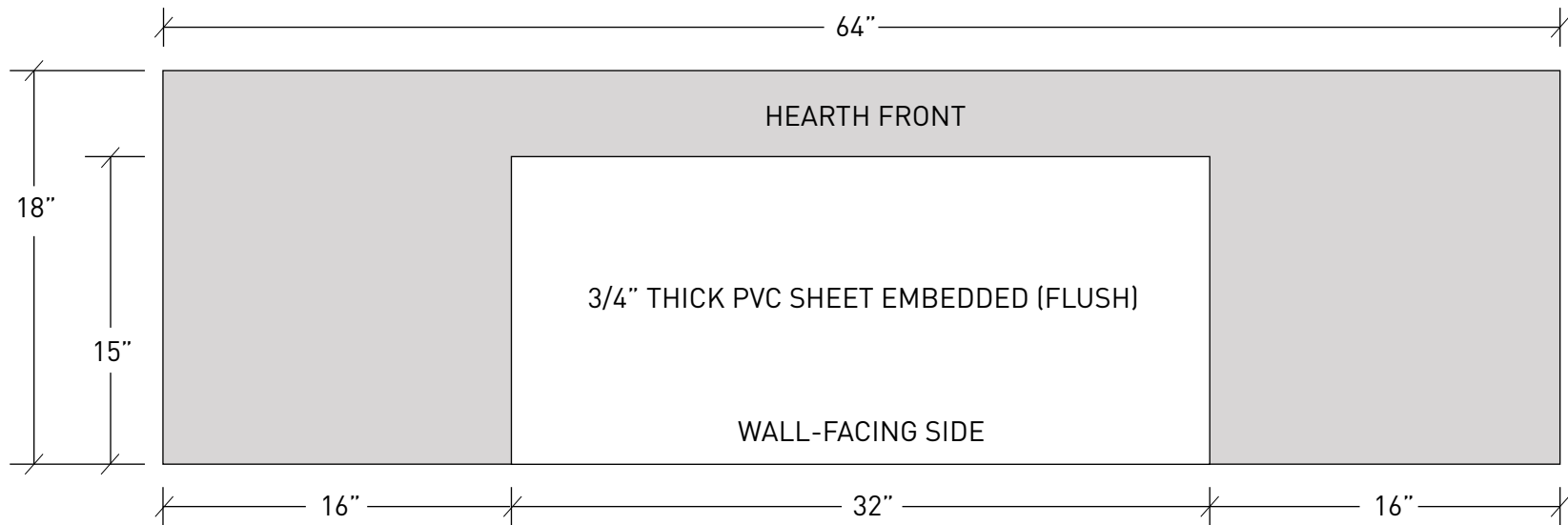


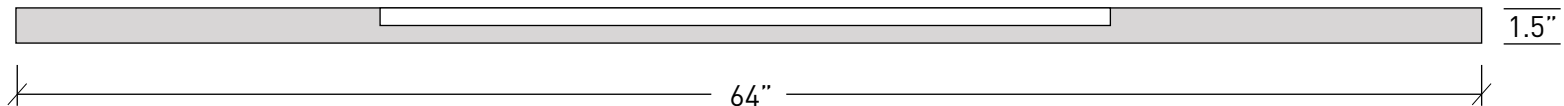
SPECIFICATIONS

- OVERALL DIMENSIONS: 64"L x 50"H x 18"D
- WEIGHT: ~450 LBS (EXCLUDING FIREBOX INSERT)
- HIGH-STRENGTH GFRC CONSTRUCTION
- CONCRETE THICKNESS ~1" THROUGHOUT
- 2-PIECE CONSTRUCTION (MANTEL / SURROUND)
- FIREBOX MODEL: ARCHED / 8030
- FIREBOX SIZE: 34"H x 32"W x 12"D
- FIREBOX OPENING: 34.125"H x 32.25"W

HEARTH

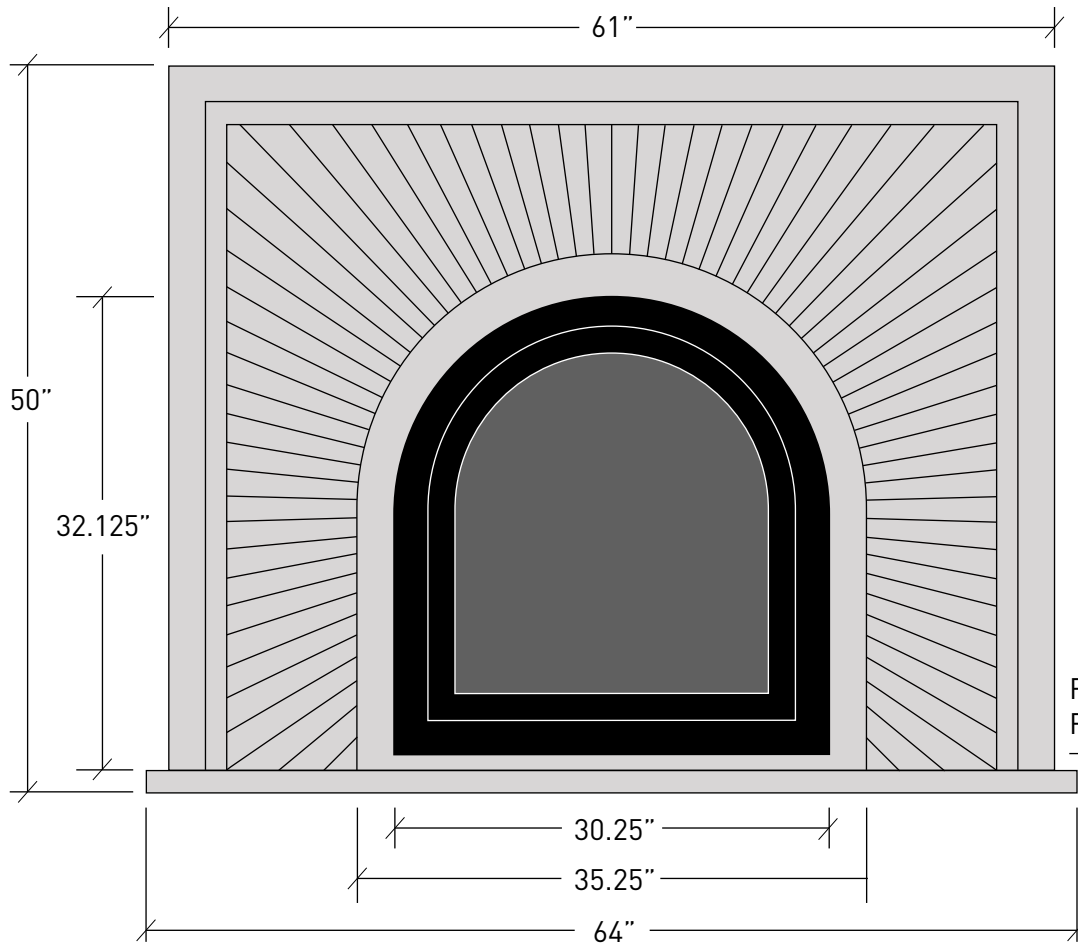


3/4" THICK PVC SHEET EMBEDDED (FLUSH) TO THE HEARTH TO ENABLE THE FIREBOX TO BE MOUNTED TO THE HEARTH.

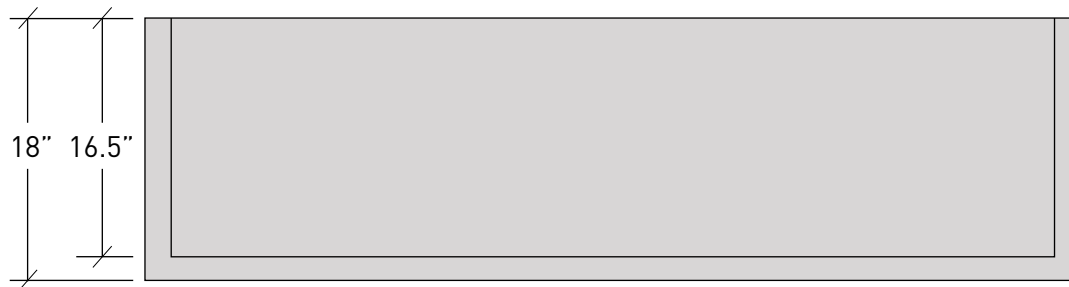
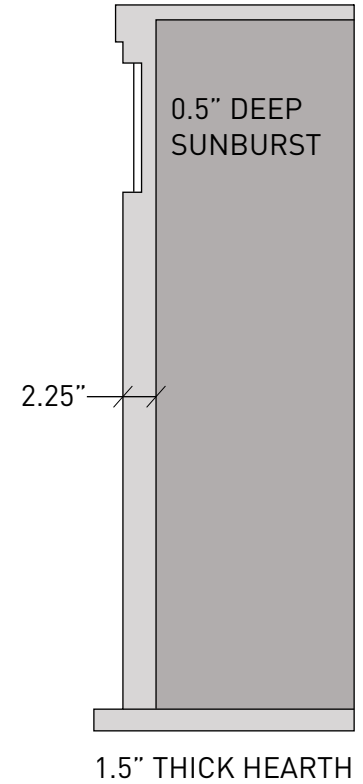


SPECIFICATIONS

- OVERALL DIMENSIONS: 64"L x 19"W x 1.5"H
- HIGH-STRENGTH GFRC CONSTRUCTION
- CONCRETE THICKNESS: 1.5" THROUGHOUT
- EMBEDDED PVC SHEET: 32"L X 15"W x 0.75" THICK



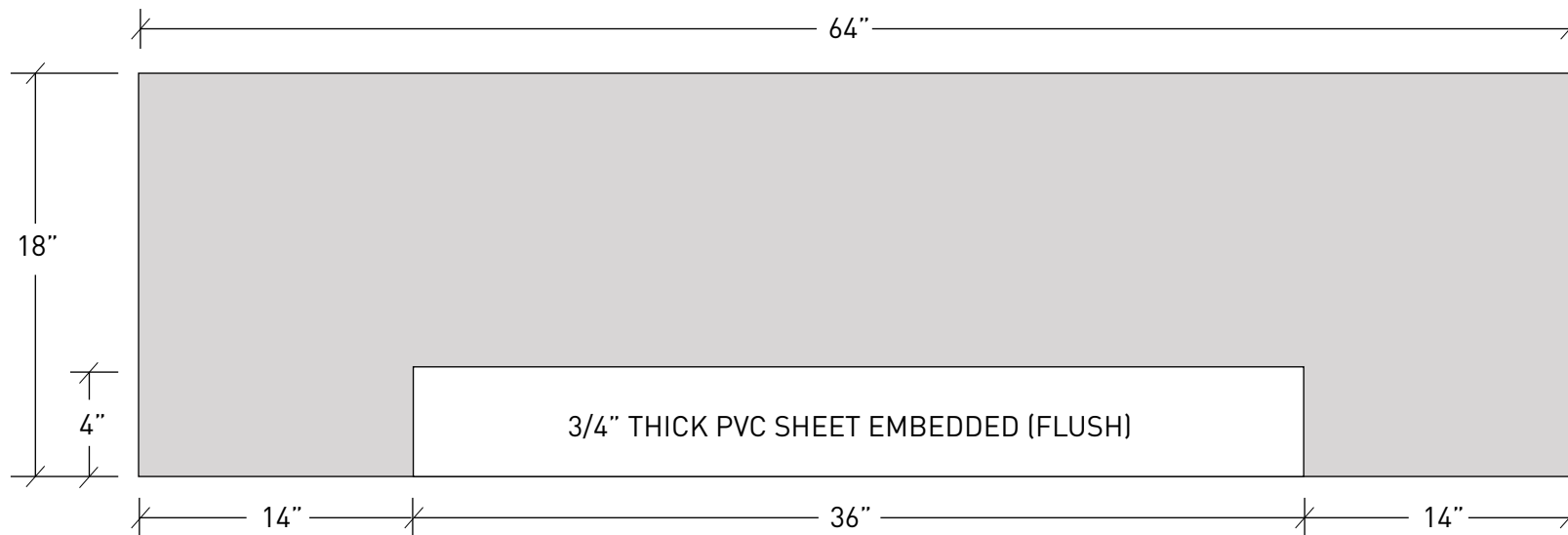
FIREBOX
RAISED 1"



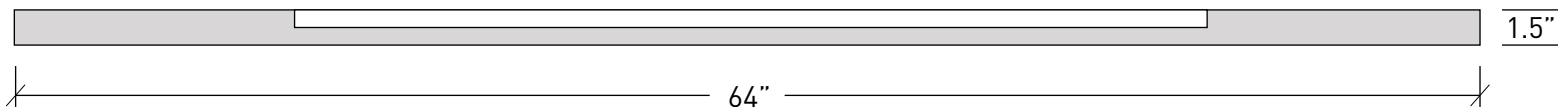
SPECIFICATIONS

- OVERALL DIMENSIONS: 64"L x 50"H x 18"D
- WEIGHT: ~450 LBS (EXCLUDING FIREBOX INSERT)
- HIGH-STRENGTH GFRC CONSTRUCTION
- CONCRETE THICKNESS ~1" THROUGHOUT
- 2-PIECE CONSTRUCTION (MANTEL / SURROUND)
- FIREBOX MODEL: ARCHED / 8020
- FIREBOX SIZE: 32"H x 30"W x 12"D
- FIREBOX OPENING: 32.125"H x 30.125"W
- OPENING IS RAISED 1" ABOVE THE HEARTH

HEARTH



3/4" THICK PVC SHEET EMBEDDED (FLUSH) TO THE HEARTH TO ENABLE THE FIREBOX PLATFORM TO BE MOUNTED TO THE HEARTH. THE PVC MUST THEREFORE FACE UPWARD DURING INSTALLATION.



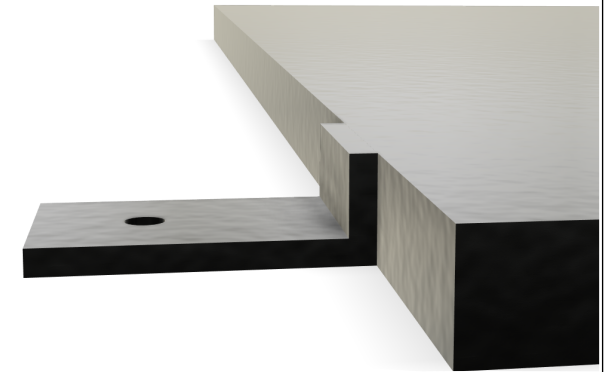
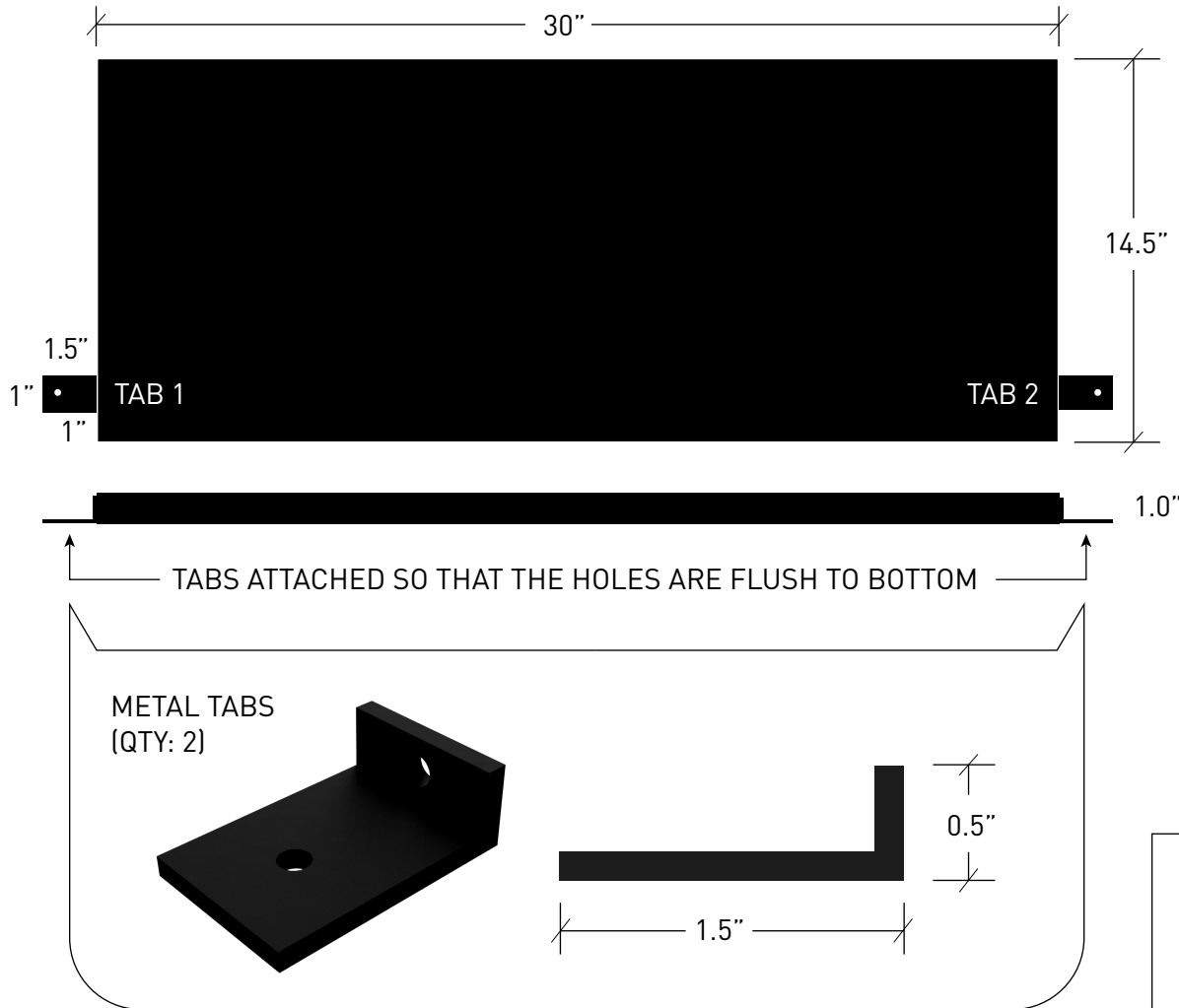
SPECIFICATIONS

- OVERALL DIMENSIONS: 64"L x 19"W x 1.5"H
- HIGH-STRENGTH GFRC CONSTRUCTION
- CONCRETE THICKNESS: 1.5" THROUGHOUT
- EMBEDDED PVC SHEET: 36"L X 4"W x 0.75" THICK

PLATFORM

With this particular surround, the firebox must be raised 1" from the hearth in order to preserve the symmetry of the opening's rim.

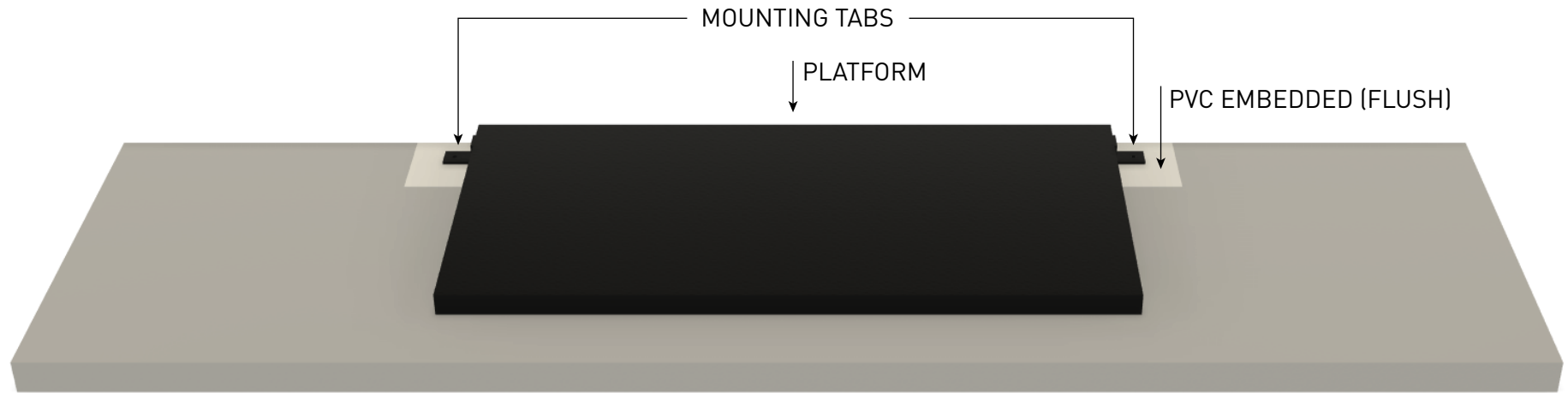
A 1-inch thick platform needs to be included for this surround system. Two metal tabs need to be affixed to the platform so that it can be fastened to the hearth.



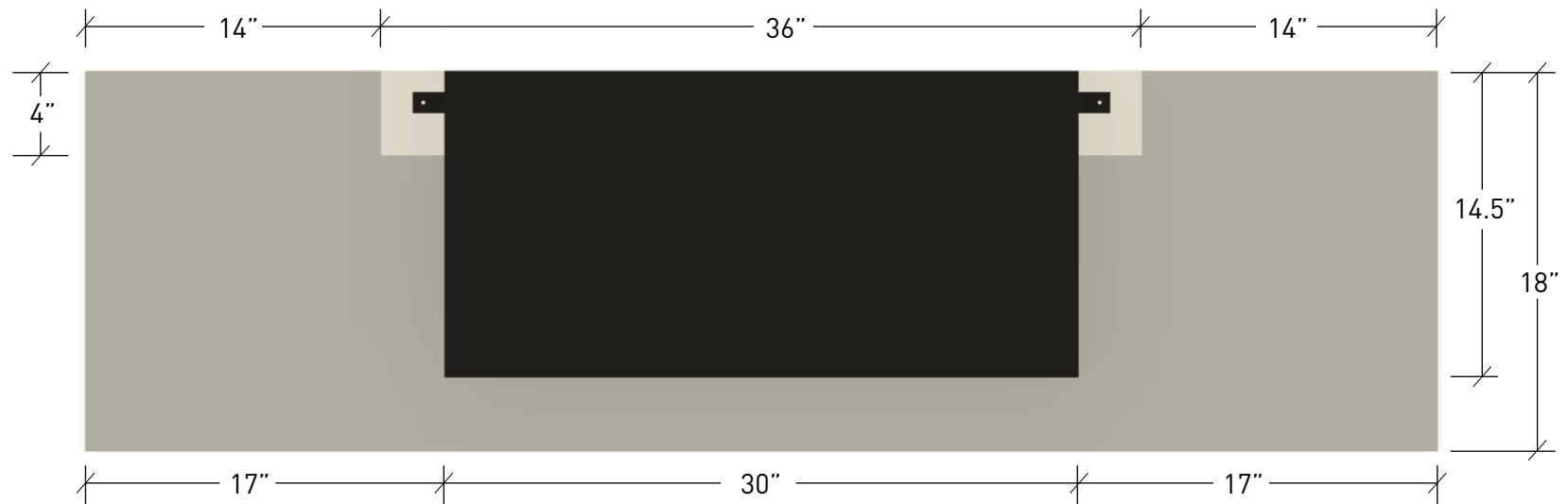
SPECIFICATIONS

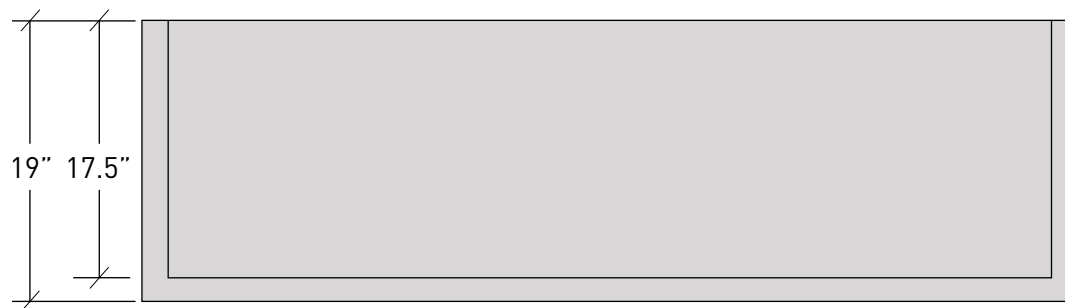
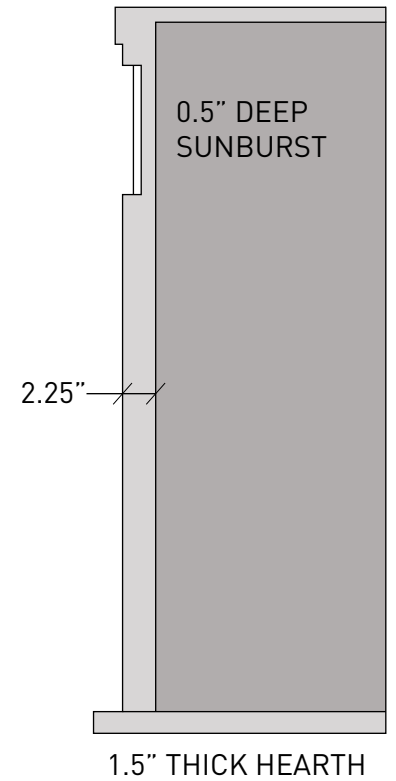
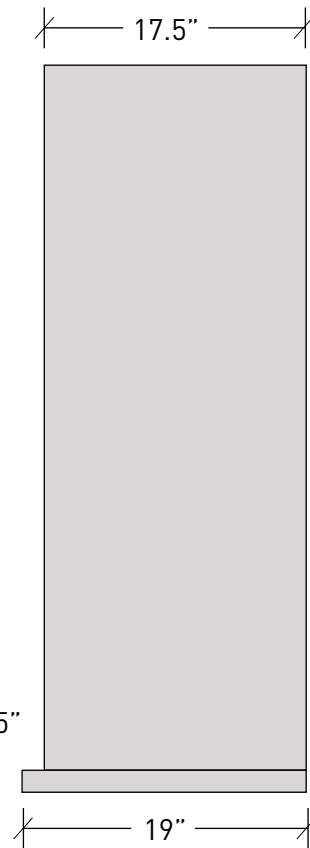
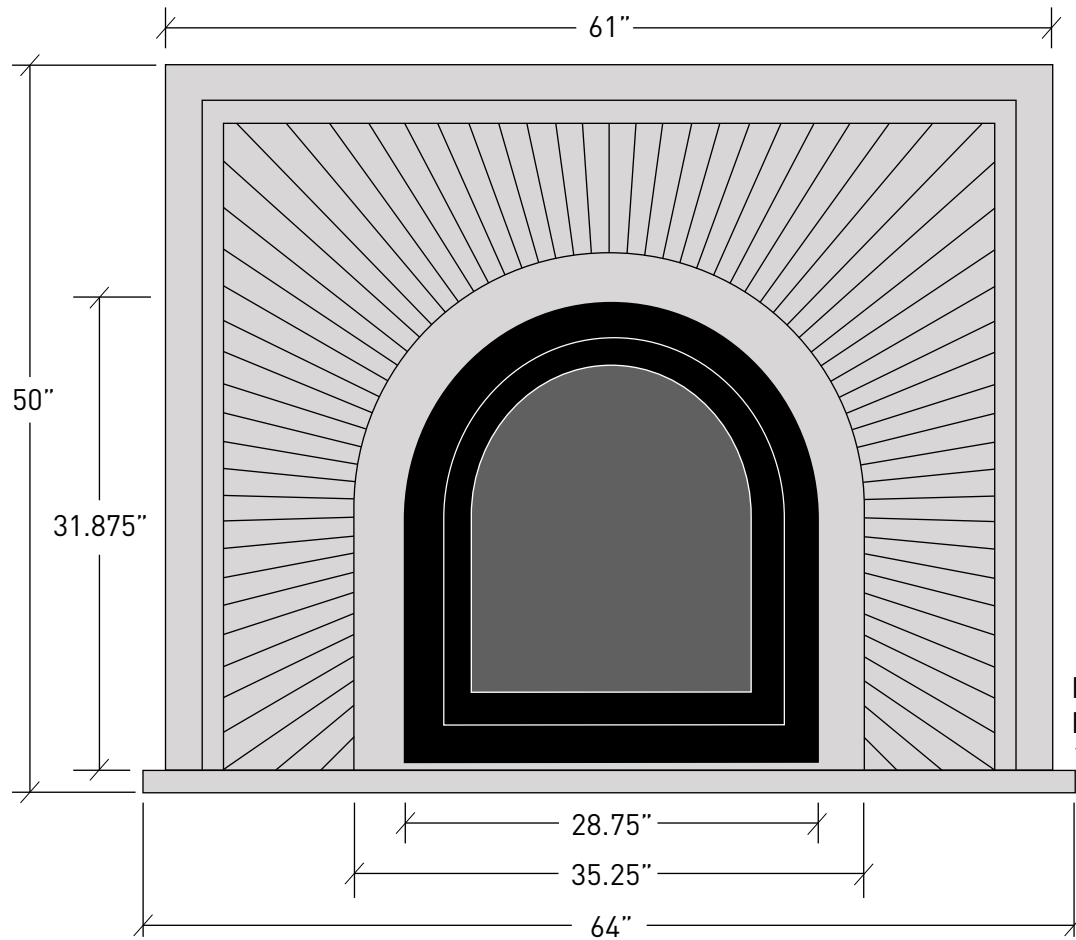
- PLATFORM DIMENSIONS: 30"L x 14.5"W x 1" THICK
- SOLID PVC / PAINTED BLACK FINISH
- INCLUDES TWO MOUNTING TABS

FINISHED ASSEMBLY



HEARTH FRONT



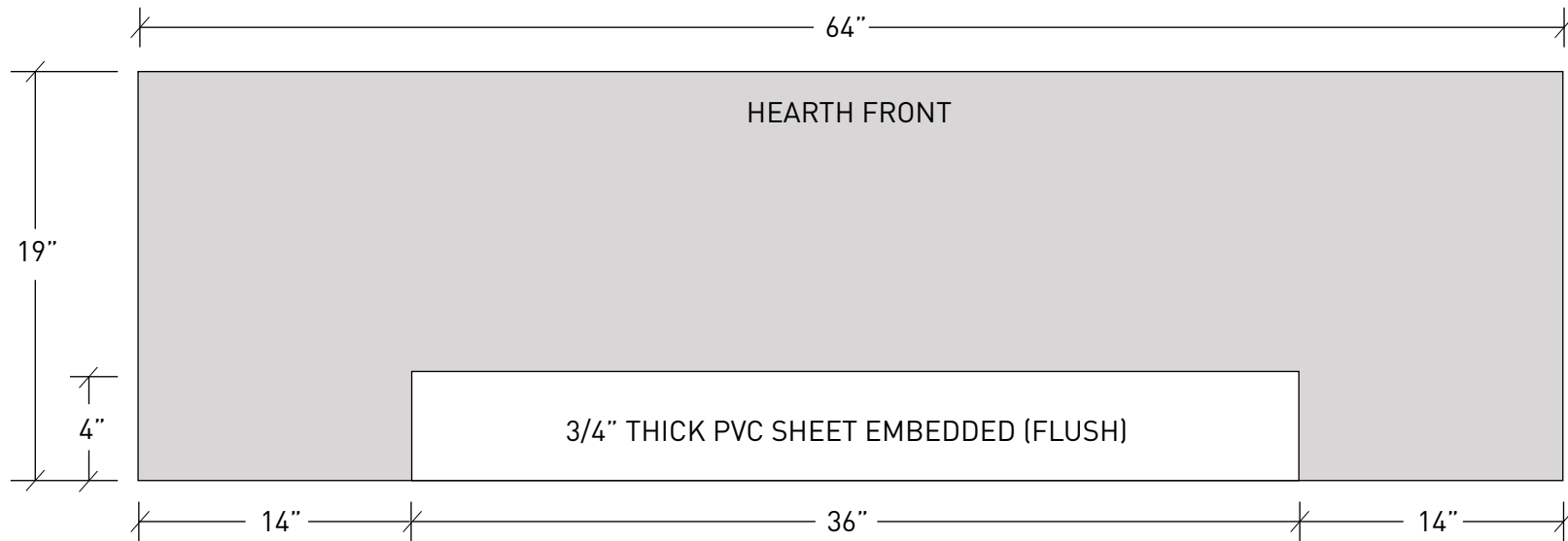


FIREBOX
RAISED 0.5"

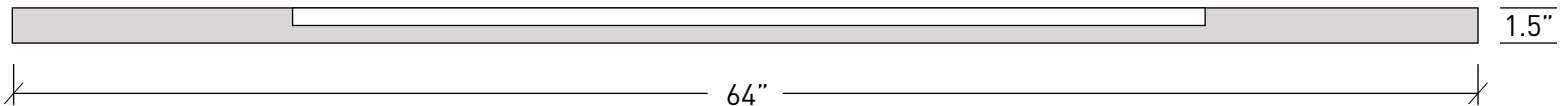
SPECIFICATIONS

- OVERALL DIMENSIONS: 64"L x 50"H x 19"D
- WEIGHT: ~460 LBS (EXCLUDING FIREBOX INSERT)
- HIGH-STRENGTH GFRC CONSTRUCTION
- CONCRETE THICKNESS ~1" THROUGHOUT
- 2-PIECE CONSTRUCTION (MANTEL / SURROUND)
- FIREBOX MODEL: ARCHED / 8010
- FIREBOX SIZE: 31.75"H x 28.5"W x 16"D
- FIREBOX OPENING: 31.875"H x 28.75"W
- OPENING IS RAISED 1" ABOVE THE HEARTH

HEARTH



3/4" THICK PVC SHEET EMBEDDED (FLUSH) TO THE HEARTH TO ENABLE THE FIREBOX PLATFORM TO BE MOUNTED TO THE HEARTH. THE PVC MUST THEREFORE FACE UPWARD DURING INSTALLATION.



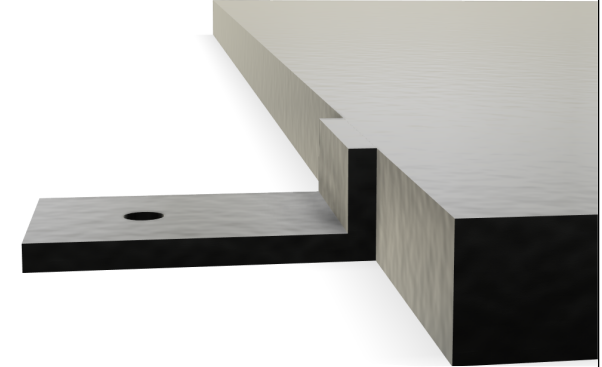
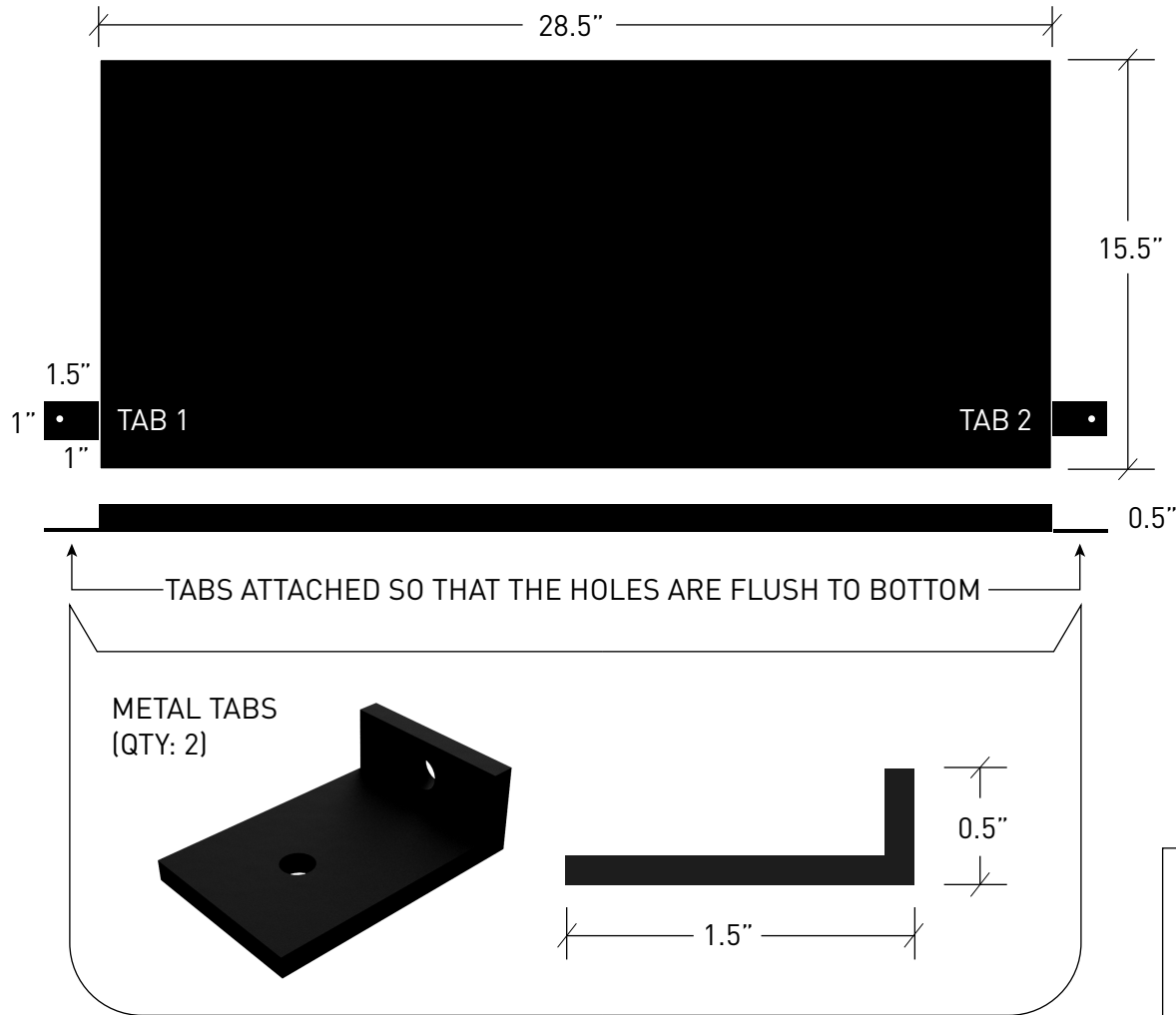
SPECIFICATIONS

- OVERALL DIMENSIONS: 64"L x 19"W x 1.5"H
- HIGH-STRENGTH GFRC CONSTRUCTION
- CONCRETE THICKNESS: 1.5" THROUGHOUT

PLATFORM

With this particular surround, the firebox must be raised 0.5" from the hearth in order to preserve the symmetry of the opening's rim.

A 1-inch thick platform needs to be included for this surround system. Two metal tabs need to be affixed to the platform so that it can be fastened to the hearth.



SPECIFICATIONS

- PLATFORM DIMENSIONS: 28.5" L x 15.5" W x 0.5" THICK
- SOLID PVC / PAINTED BLACK FINISH
- INCLUDES TWO MOUNTING TABS

FINISHED ASSEMBLY

