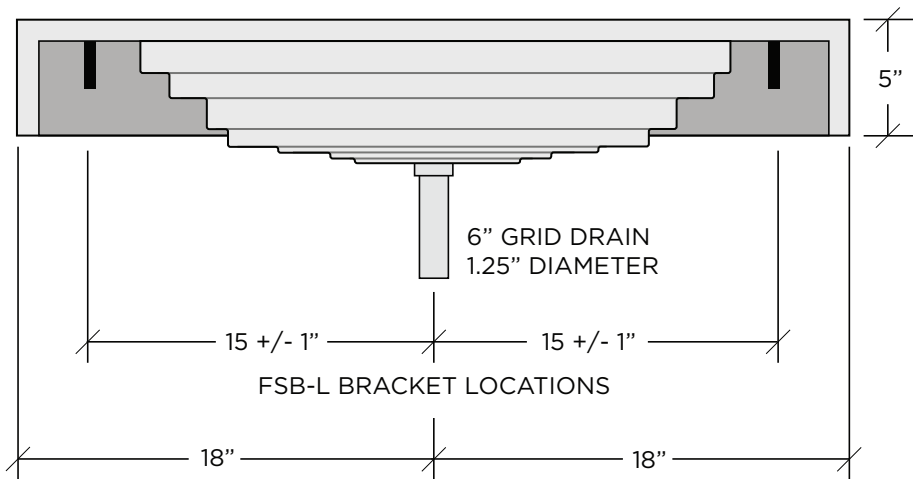
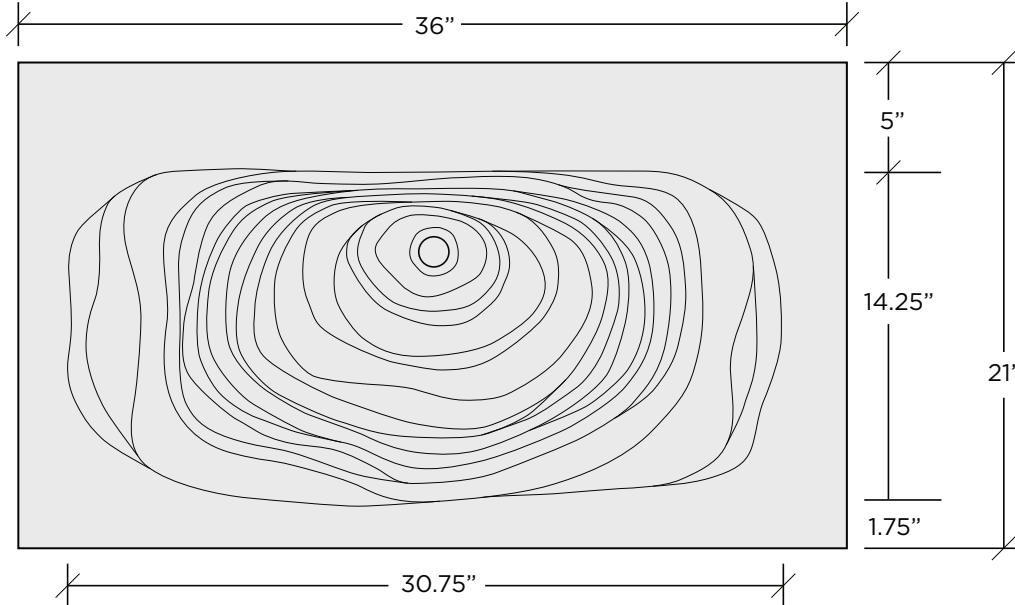


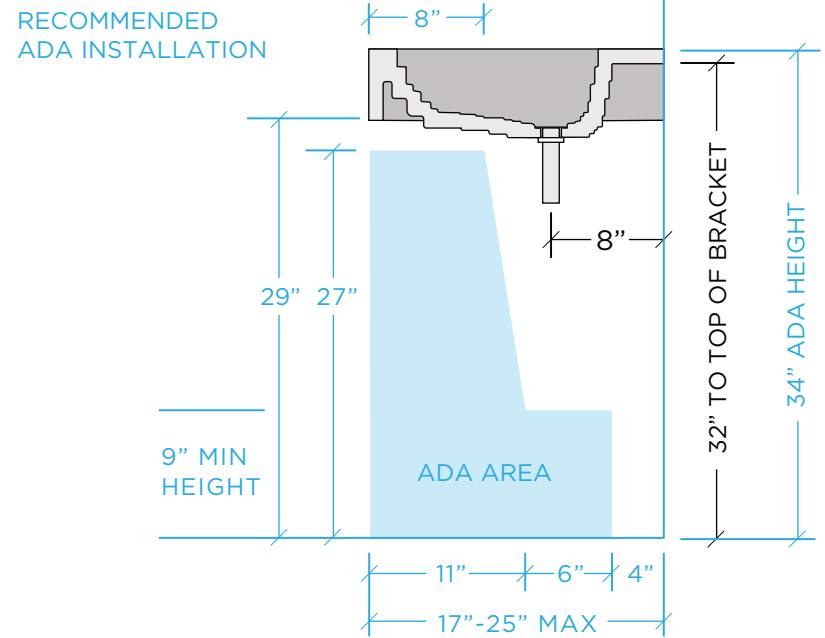
## REAR ELEVATION



## PLAN VIEW



## SIDE SECTION VIEW



### SPECIFICATIONS

- SINK BASIN ST-31-A DIMENSIONS = 30.75" x 14.25" x 5.5"



CSA B45.8/IAPMO Z403  
ASME A112.18.2/CSA B125.2



ICC A117.1

- OVERALL DIMENSIONS: 36" L x 21 D" x 5" H
- CONCRETE THICKNESS IS ~1" THROUGHOUT
- SINK HAS APRON HEIGHT OF 5"
- WEIGHT: ~87 LBS
- MOUNTS TO WALL WITH 2 SUPPORT BRACKETS (FSB-L: QTY 2)

### STANDARD FAUCET HOLE CONFIGURATIONS (CUSTOMIZABLE):

- 1 SINGLE FAUCET HOLE OR TRIPLE HOLE SET CENTERED ABOVE BASIN
- TRIPLE HOLE SET = 8" SPREAD
- HOLE DIAMETER = 1 3/8"