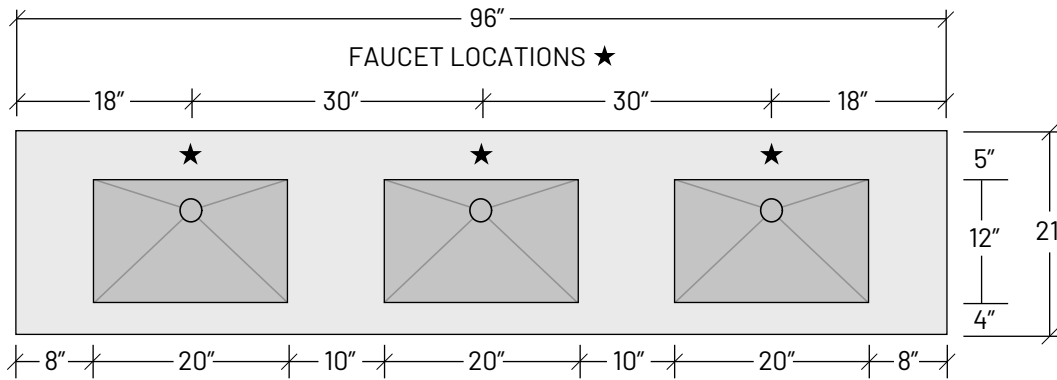
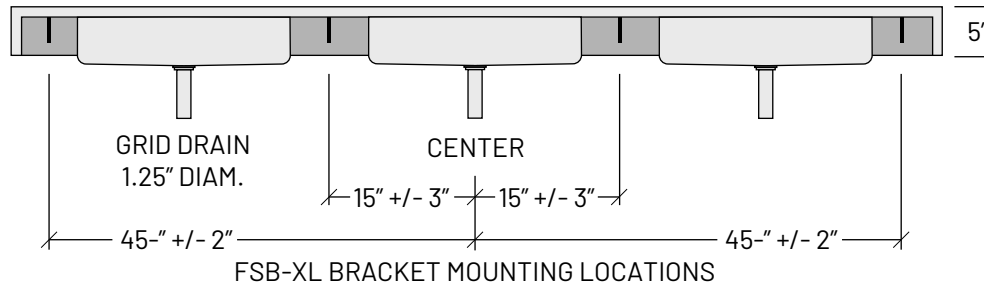


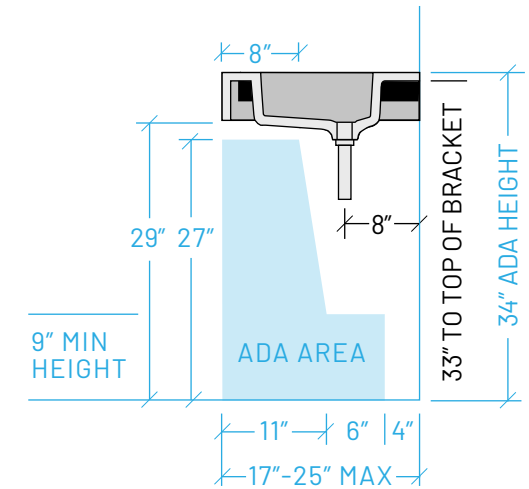
PLAN VIEW



REAR ELEVATION



SECTION VIEW



RECOMMENDED ADA INSTALLATION

SPECIFICATIONS

- BASIN MODEL: RC-2012 (QTY: 3)
- BASIN DIMENSIONS: 20" L x 12" W x 5.25" D
- CSA B45.8/IAPMO Z403
ASME A112.18.2/CSA B125.2
- ICC A117.1
- OVERALL DIMENSIONS: 96" L x 21" D x 5" H (APRON)
- CONCRETE AVERAGE THICKNESS IS 1"
- WEIGHT: ~225 LBS
- APRON/ EDGE PROFILE IS 5"
- MOUNTS TO WALL WITH FOUR STEEL BRACKETS (FSB-XL)
- MEETS ADA GUIDELINES WHEN INSTALLED CORRECTLY

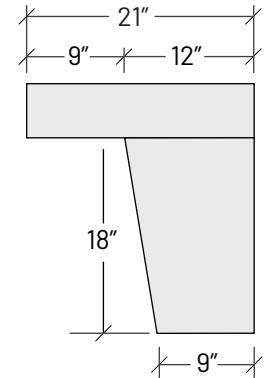
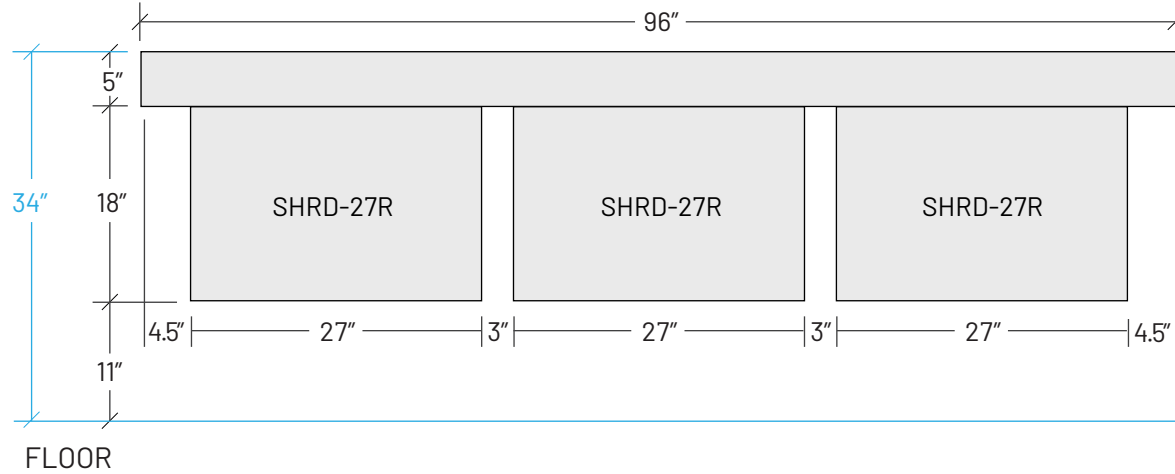
STANDARD FAUCET & SOAP HOLE CONFIGURATIONS (CUSTOMIZABLE)

- 0 HOLES (WALL-MOUNT FAUCETS)
- 3 SINGLE HOLES CENTERED ON SINK BASINS
- 3 TRIPLE HOLE SETS (8" SPREAD) CENTERED ON BASINS
- HOLE DIAMETER = 1 3/8"
- HOLE(S) CENTERED 2 1/4" OFF BACK OF SINK BASIN
- FAUCET HOLE CENTER IS 10" INSIDE LEFT BASIN WALL
- SOAP HOLE 5" MINIMUM TO LEFT OR RIGHT OF FAUCETS

ADA PLUMBING SHIELDS

- OPTIONAL ADA PLUMBING SHIELDS:
- SKU: SHRD-27 -REC (QTY: 3) 27L x 18"H x 12"D
- SKU: SHRD-93 -REC (QTY: 1) 93L X 18"H X 12"D
- STAINLESS STEEL CONSTRUCTION
- BRUSHED STEEL OR PAINTED BLACK FINISH

FRONT ELEVATION WITH ADA PLUMBING SHIELDS: SHRD-27-REC



SPECIFICATIONS

- BASIN MODEL: R-2012 (QTY: 3)
- BASIN DIMENSIONS: 20" L x 13" W x 5" D
- COMPLIANCE: CSA B45.8/IAPMO Z403 ASME A112.18.2/CSA B125.2 ICC A117.1
- OVERALL DIMENSIONS: 96" L x 21" D x 5" H (APRON)
- CONCRETE AVERAGE THICKNESS IS 1"
- WEIGHT: ~225 LBS
- APRON/ EDGE PROFILE IS 5"
- MOUNTS TO WALL WITH FOUR STEEL BRACKETS (FSB-XL)
- MEETS ADA GUIDELINES WHEN INSTALLED CORRECTLY

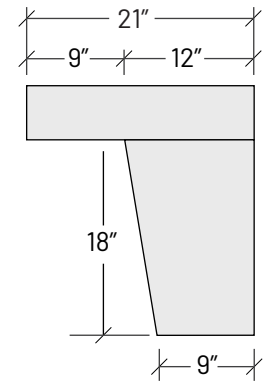
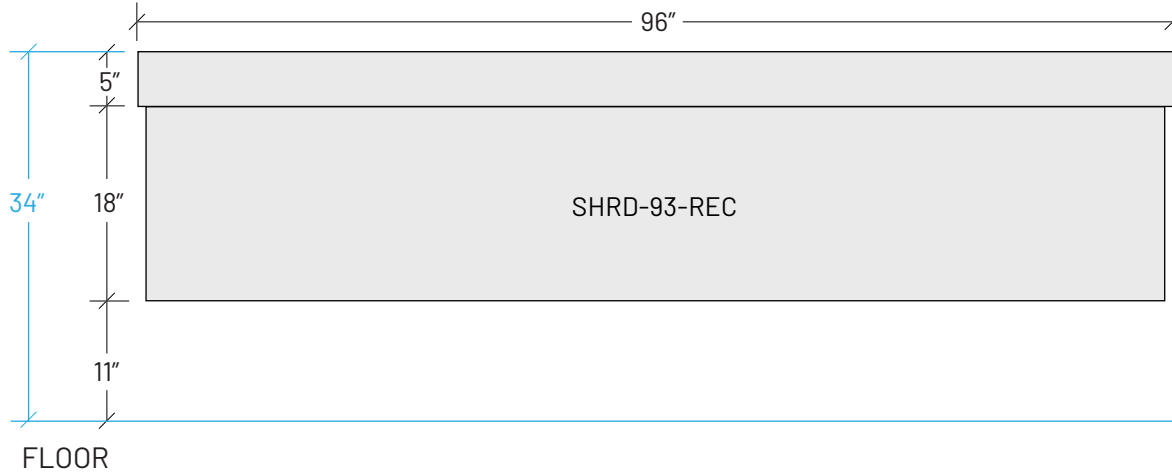
STANDARD FAUCET & SOAP HOLE CONFIGURATIONS (CUSTOMIZABLE)

- 0 HOLES (WALL-MOUNT FAUCETS)
- 3 SINGLE HOLES CENTERED ON SINK BASINS
- 3 TRIPLE HOLE SETS (8" SPREAD) CENTERED ON BASINS
- HOLE DIAMETER = 1 3/8"
- HOLE(S) CENTERED 2 1/4" OFF BACK OF SINK BASIN
- FAUCET HOLE CENTER IS 10" INSIDE LEFT BASIN WALL
- SOAP HOLE 5" MINIMUM TO LEFT OR RIGHT OF FAUCETS

ADA PLUMBING SHIELDS

- OPTIONAL ADA PLUMBING SHIELDS:
- SKU: SHRD-27 -REC (QTY: 3) 27L x 18"H x 12"D
- SKU: SHRD-93 -REC (QTY: 1) 93L X 18"H X 12"D
- STAINLESS STEEL CONSTRUCTION
- BRUSHED STEEL OR PAINTED BLACK FINISH

FRONT ELEVATION WITH ADA PLUMBING SHIELD: SHRD-93-REC



SPECIFICATIONS

- BASIN MODEL: R-2012 (QTY: 3)
- BASIN DIMENSIONS: 20" L x 13" W x 5" D
- OVERALL DIMENSIONS: 96" L x 21" D x 5" H (APRON)
- CONCRETE AVERAGE THICKNESS IS 1"
- WEIGHT: ~225 LBS
- APRON/ EDGE PROFILE IS 5"
- MOUNTS TO WALL WITH FOUR STEEL BRACKETS (FSB-XL)
- MEETS ADA GUIDELINES WHEN INSTALLED CORRECTLY



CSA B45.8/IAPMO Z403
ASME A112.18.2/CSA B125.2



ICC A117.1

STANDARD FAUCET & SOAP HOLE CONFIGURATIONS (CUSTOMIZABLE)

- 0 HOLES (WALL-MOUNT FAUCETS)
- 3 SINGLE HOLES CENTERED ON SINK BASINS
- 3 TRIPLE HOLE SETS (8" SPREAD) CENTERED ON BASINS
- HOLE DIAMETER = 1 3/8"
- HOLE(S) CENTERED 2 1/4" OFF BACK OF SINK BASIN
- FAUCET HOLE CENTER IS 10" INSIDE LEFT BASIN WALL
- SOAP HOLE 5" MINIMUM TO LEFT OR RIGHT OF FAUCETS

ADA PLUMBING SHIELDS

- OPTIONAL ADA PLUMBING SHIELDS:
- SKU: SHRD-27 -REC (QTY: 3) 27L x 18"H x 12"D
- SKU: SHRD-93 -REC (QTY: 1) 93L X 18"H X 12"D
- STAINLESS STEEL CONSTRUCTION
- BRUSHED STEEL OR PAINTED BLACK FINISH